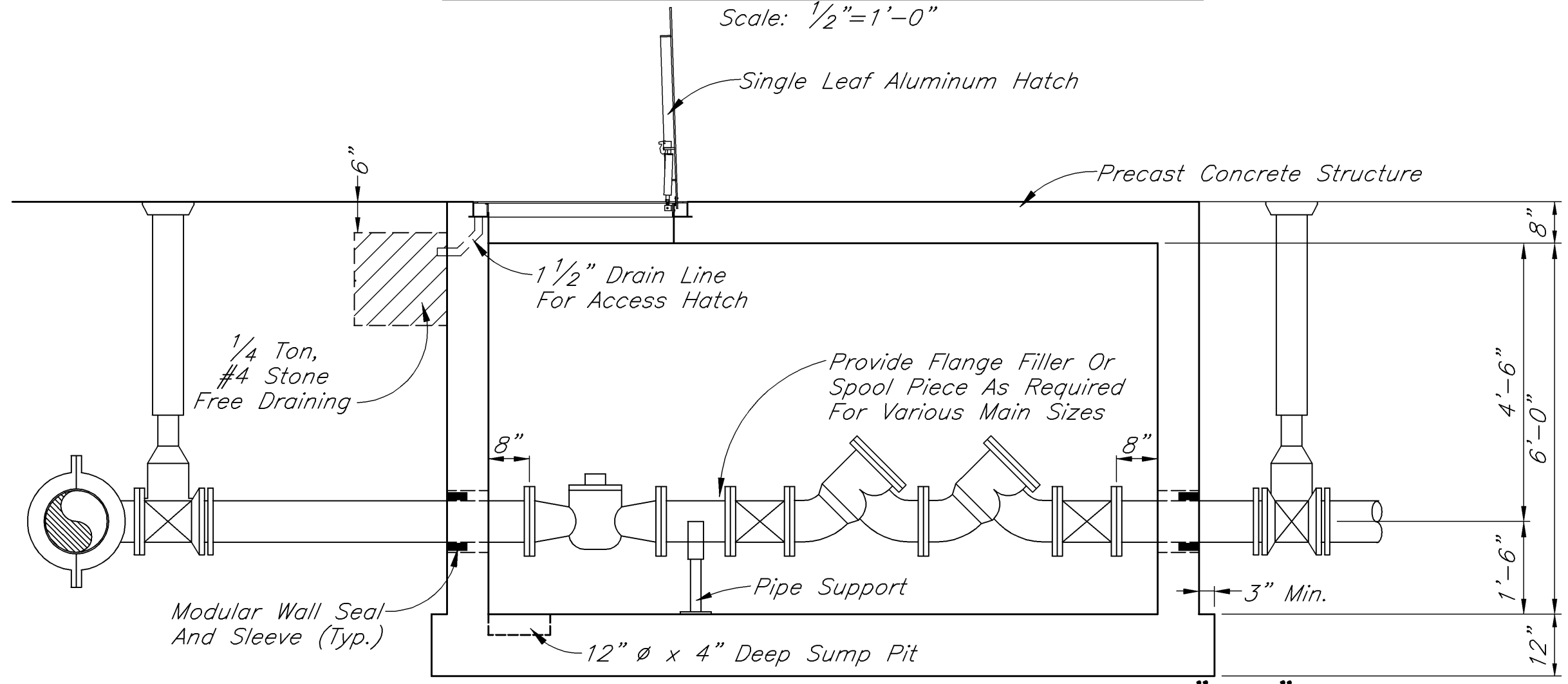


PRIVATE DISTRIBUTION METER PIT - PLAN

Scale: 1/2"=1'-0"



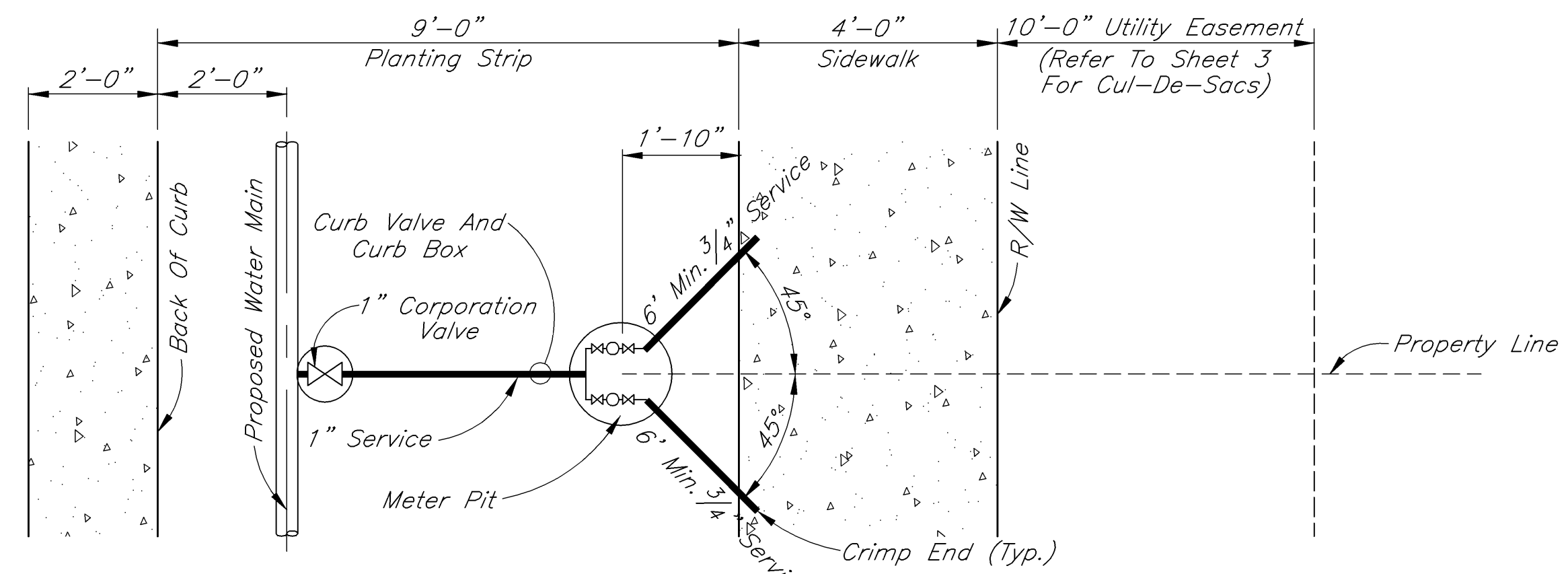
PRIVATE DISTRIBUTION METER PIT - SECTION "A-A"

Scale: 1/2"=1'-0"

	4" TURBINE	6" TURBINE	8" TURBINE
Dim. "X"	8'-4"	8'-4"	9'-8"

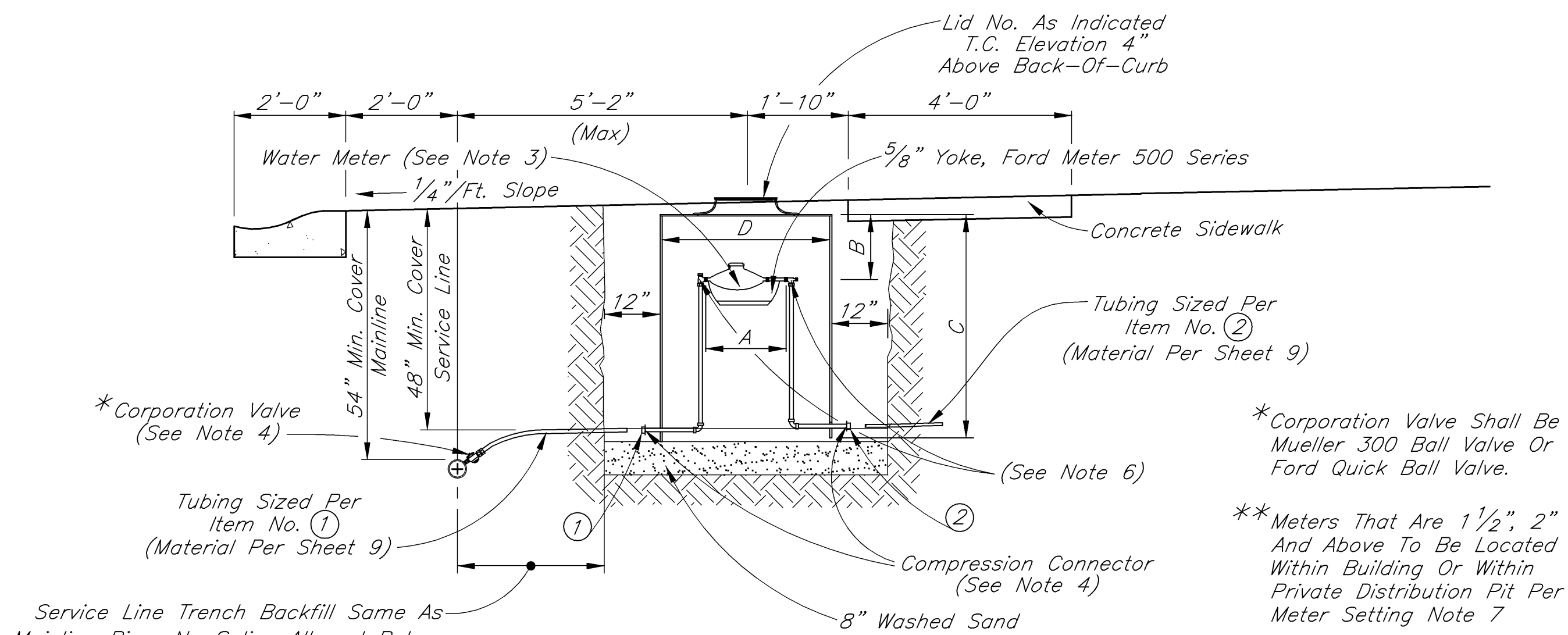
PRIVATE DISTRIBUTION METER PIT NOTES:

- 1.) Provide #4 Rebars At 12" O.C. In Top, Bottom And All Sides.
- 2.) All Labor And Materials To Be Provided By The Developer, Except City Will Furnish Meter And Developer Shall Install Meter, And Developer Shall Provide Mounting Plate And City Will Install Touchread.
- 3.) Piping, Valves, Double Detector Check Valve Assembly And Meter Shall Be Same Size Throughout. Other Than Dim. "X", Meter Pit Dimensions Shall Be Maintained For 4", 6" And 8" Mains.
- 4.) Access Hatch Shall Be On Meter Side Of Pit And Shall Be Bilco Model J-4AL With Drain Coupling Or As Approved By Lebanon Utilities Water Department.
- 5.) Manhole Steps Shall Be Neenah R-1981-J, East Jordan No. 8512, M.A. Industries PS-1-PF, Or As Approved By Lebanon Utilities Water Department.
- 6.) Double Detector Check Valve Assembly Shall Be Watts Series 709, Wilkins Model 950, Febco Model 806, Or As Approved By Lebanon Utilities Water Department.
- 7.) Piping In And Within 2 Feet Of Meter Pit Shall Be Class 53 Flanged Ductile Iron Pipe. Transition To Class 50 At A Mechanical Joint.
- 8.) Provide 1/4"x12"x12" Cast Iron Plate With Two 1-5/8" Diameter Holes At 4" On Center For Touchread Mounting. After SSPC-SP-6 Preparation, Paint Plate With 5 Mils DFT Tnemec 74-ANSI No. 61 Gray Over 3 Mils DFT Tnemec 90-97 Primer. Center Plate Over 8"x8" Opening. Secure Plate With Four 1/4" 304 S.S. Anchor Bolts, Nuts & Washers.
- 9.) Refer To Typical Meter Setting Detail And Meter Setting Notes Regarding Domestic Water Service Lines.
- 10.) The Lebanon Utilities Water Department Does Not Maintain Past The City Side Shut Off Gate Valve As The Downstream Side Of The Valve Begins The Private System.



TYPICAL DUAL METER SETTING PLAN

Scale: None



TYPICAL METER SETTING DETAIL

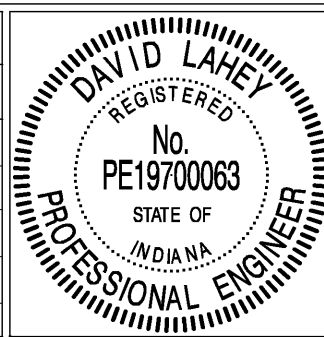
Scale: None

	DUAL 5/8"x3/4"	SINGLE 5/8"x3/4"	SINGLE 1"x1"
Dim A	7.88"	7.88"	11.125"
Dim B	7"	7"	7"
Dim C	48"	48"	48"
Dim D	21" I.D.	18" I.D.	21" I.D.
Lid No.	Ford C34-TT Lid	Ford C32-TT Lid	Ford C34-TT Lid
①	1" Compression	3/4" Compression	1" Compression
②	3/4" Compression	3/4" Compression	1" Compression

METER SETTING NOTES:

- 1.) Other Than Meter Itself, All Items Within Meter Setting Included Under Referenced Part Number.
- 2.) Residential Construction Requires The Use Of Dual Meter Installations Whenever Possible.
- 3.) Water Meters For New Meter Settings Are Furnished By The Lebanon Utilities Water Department And Installed By The Developer.
- 4.) Contractor Shall Make All Tubing Connections Utilizing Mueller Or Ford Compression Connectors. Curb Valve And Box Required On City Side Of Meter.
- 5.) Meter Boxes Shall Be Reinforced Concrete Pipe.
- 6.) Contractor To Install Angle Inverted Key Service Valves As Manufactured By Ford Meter Box Company.
- 7.) 1/2" And 2" By-Pass Around Meter With Locking Valve.

REVISIONS		
Rev. No.	Description	Date



RECOMMENDED FOR APPROVAL: *David Lane* 5-4-2006
 DESIGN ENGINEER DATE
 APPROVED: *Mike Mat...* 6-20-2006
 UTILITIES MANAGER DATE
 APPROVED: *...* 5-4-2006
 WATER/WASTEWATER OPERATIONS MANAGER DATE

CITY OF LEBANON
WATER MAIN METER SETTING & PITS
 SHEET 11 OF 18

05-01-06 AT 10:37
 C:\3056\26109\14\ITD\CD\ENR\2004_Standards_Update\Sheet1.dwg
 1
 ZDK