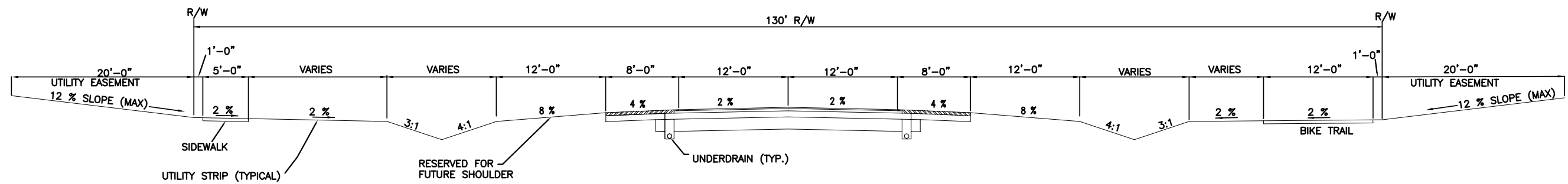
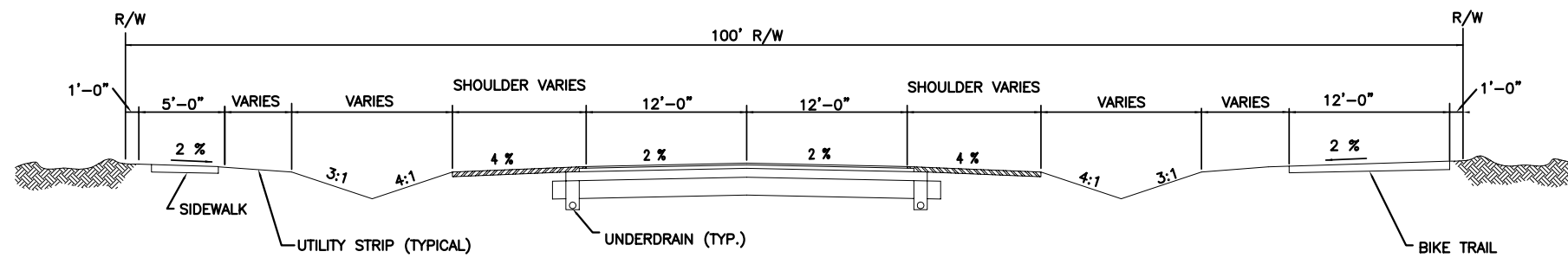


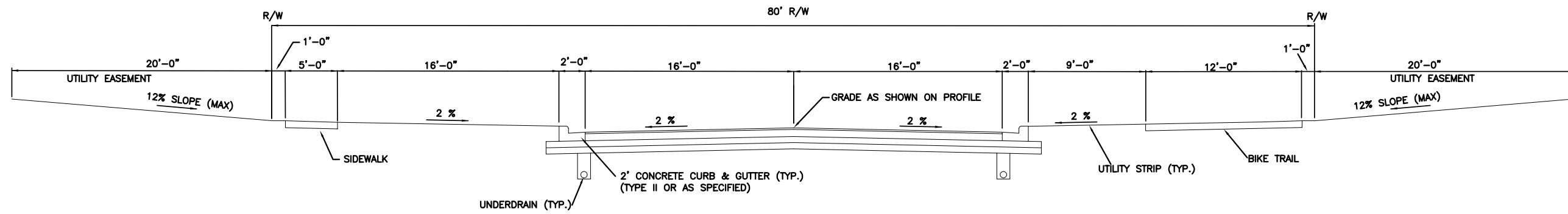
**TYPICAL ARTERIAL ROADWAY  
CROSS SECTION WITH CURB & GUTTER**



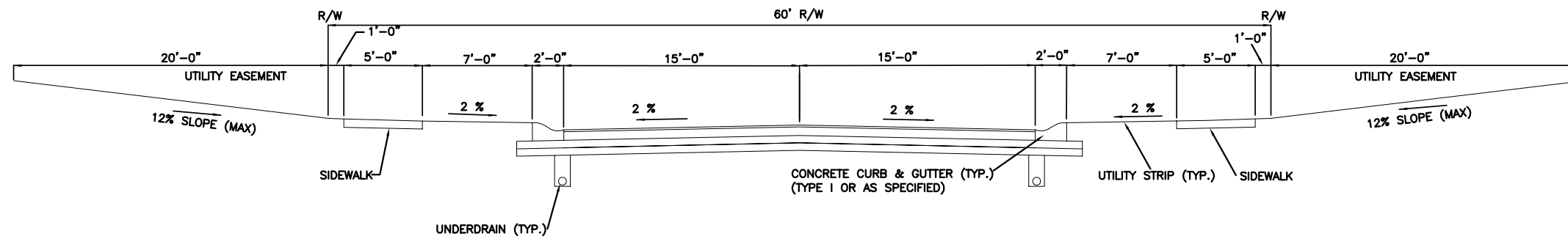
**TYPICAL INTERIM ARTERIAL ROADWAY  
CROSS SECTION WITH SHOULDER**



**TYPICAL RURAL COLLECTOR ROADWAY  
CROSS SECTION WITH SHOULDER  
(MAJOR & MINOR)**



**TYPICAL URBAN COLLECTOR ROADWAY  
CROSS SECTION WITH CURB & GUTTER**



**TYPICAL LOCAL STREET  
CROSS SECTION WITH CURB & GUTTER**